

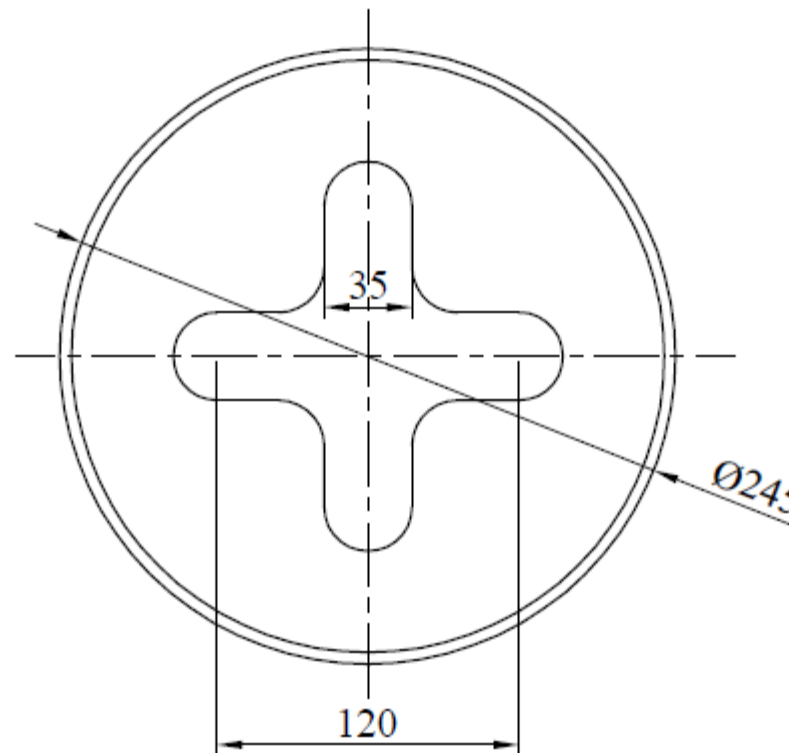
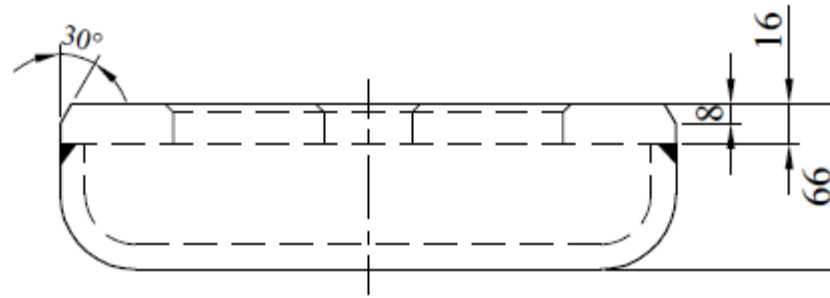
CLOVERLEAF DECK SOCKET



Category: [D-rings/Lashpots](#)

Application: [For RO-RO vessel](#)

Model: [CA-E1](#)



Material: Structural steel

Finish: Shop primer

Weight: 9.8kg

M.B.L:Tension: 200KN

M.B.L:Shear: -

M.B.L:Compression: -

Search Keyword

[CLOVER PLATE](#)

[LASHING POT](#)

[FLUSH ELEPHANT FOOT SOCKET](#)

[ELEPHANT FOOT FOUNDATION](#)

[FLUSH LASHPOT](#)

[CLOVER LEAF PLATE](#)

[ELEPHANT](#)

[LASHING POINT](#)

[FLUSH CLOVERLEAF](#)

Description

Used for ro-ro ship welding on the deck as a tie point



General Lashing System CO.,LTD.

Add: 2113# Ningheng South Road,Hengxi Town,Yinzhou District,Ningbo China.

Tel: +86-574-88078959

Fax: +86-574-88078957

E-mail: gls@generallashing.com

Website: www.generallashing.com