

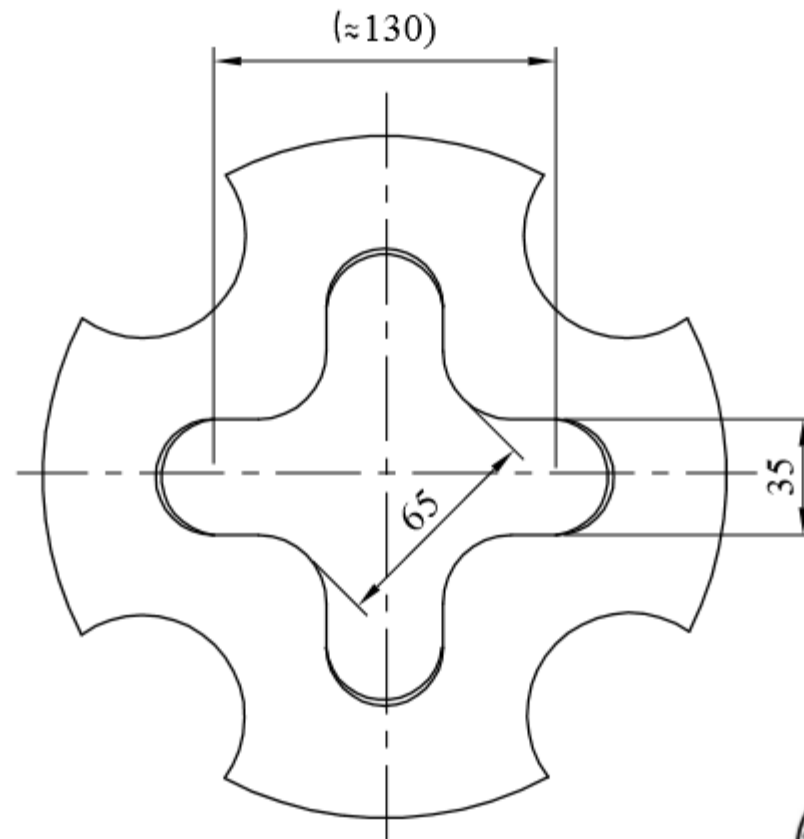
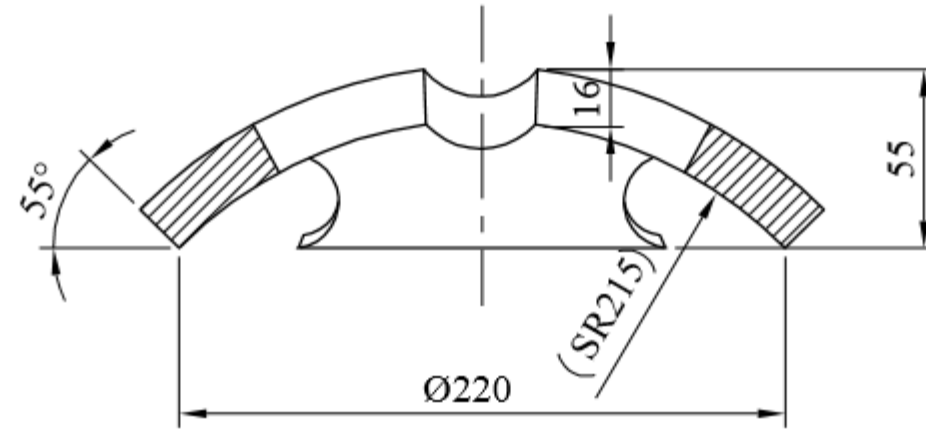
# CLOVERLEAF DECK SOCKET



Category: [D-rings/Lashpots](#)

Application: [For RO-RO vessel](#)

Model: [CA-E3](#)



**Material:** Structural steel

**Finish:** Shop primer

**Weight:** 9.8kg

**M.B.L: Tension:** 200KN

**M.B.L: Shear:** -

**M.B.L: Compression:** -

## Search Keyword

[CLOVER PLATE](#)

[LASHING POT](#)

[RAISED ELEPHANT FOOT SOCKET](#)

[RAISED LASHPOT](#)

[CLOVER LEAF PLATE](#)

[ELEPHANT](#)

[LASHING POINT](#)

[RAISED CLOVERLEAF](#)

## Description

Used for ro-ro ship welding on the deck as a tie point



**General Lashing System CO.,LTD.**

Add: 2113# Ningheng South Road,Hengxi Town,Yinzhou District,Ningbo China.

Tel: +86-574-88078959

Fax: +86-574-88078957

E-mail: [gls@generallashing.com](mailto:gls@generallashing.com)

Website: [www.generallashing.com](http://www.generallashing.com)