

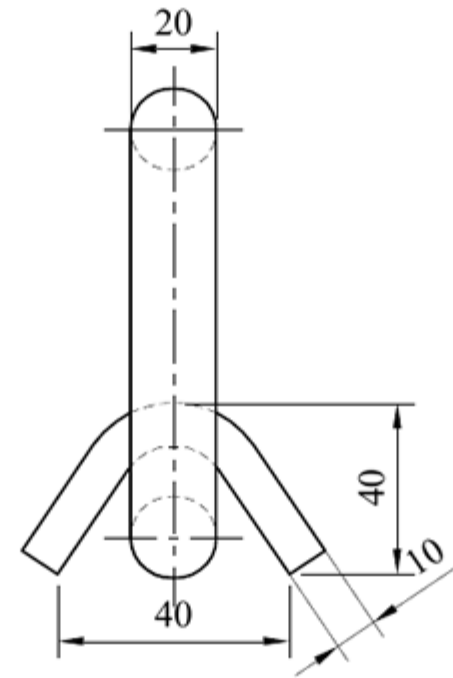
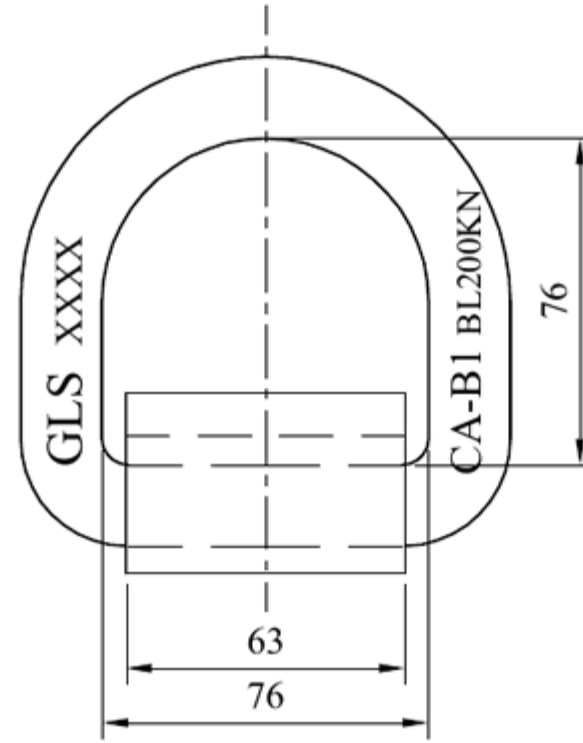
D-RINGS



Category: [D-rings/Lashpots](#)

Application: [For RO-RO vessel](#)

Model: [CA-B1](#)



Material: Forged steel
Finish: Hot dip galvanised
Weight: 1.2kg

M.B.L: Tension: 200KN
M.B.L: Shear: -
M.B.L: Compression: -

Search Keyword

[D-RINGS](#)

Description

Only the clamp of D-ring is welded on deck or hatch cover. When in use, the D-ring can be easily pulled up, when not in use, it can be put down on the deck or hatch cover.



General Lashing System CO.,LTD.

Add: 2113# Ningheng South Road,Hengxi Town,Yinzhou District,Ningbo China.

Tel: +86-574-88078959

Fax: +86-574-88078957

E-mail: gls@generallashing.com

Website: www.generallashing.com