

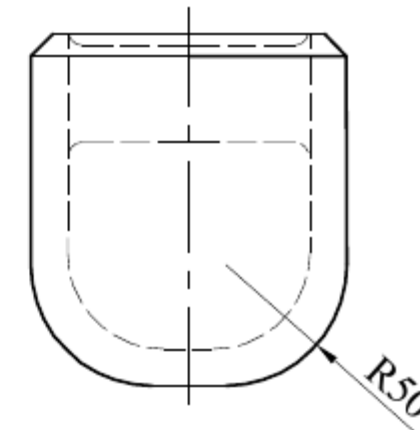
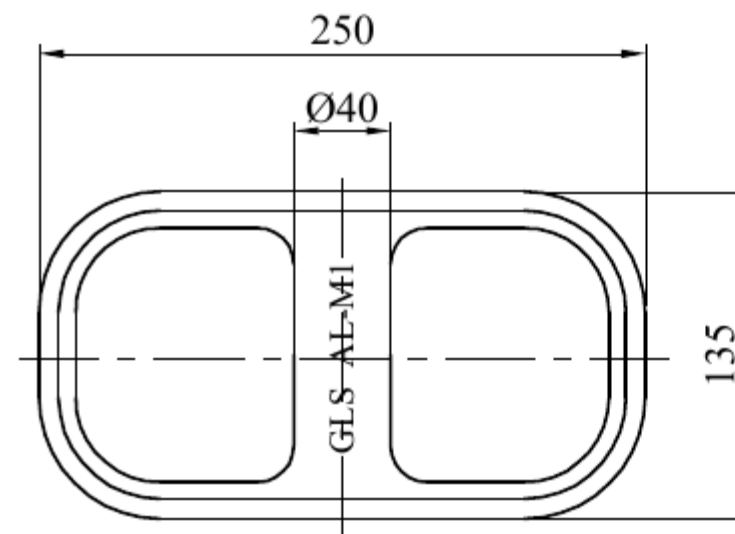
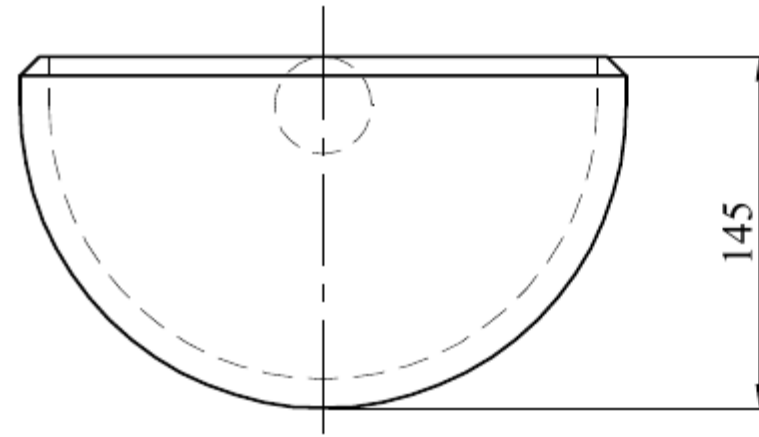
# LASHING POTS



Category: [D-rings/Lashpots](#)

Application: [For RO-RO vessel](#)

Model: [AL-M1](#)



**Material:** Casting steel  
**Finish:** Shop primer  
**Weight:** 10.8kg

**M.B.L:Tension:** 360KN  
**M.B.L:Shear:** -  
**M.B.L:Compression:** -

## Search Keyword

[LASHING POINT](#)

[LASHING SOCKET](#)

[FLUSH SOCKET](#)

## Description

Welded in the bulkhead, as the Department of solid point



**General Lashing System CO.,LTD.**

Add: 2113# Ningheng South Road,Hengxi Town,Yinzhou District,Ningbo China.

Tel: +86-574-88078959

Fax: +86-574-88078957

E-mail: [gls@generallashing.com](mailto:gls@generallashing.com)

Website: [www.generallashing.com](http://www.generallashing.com)