

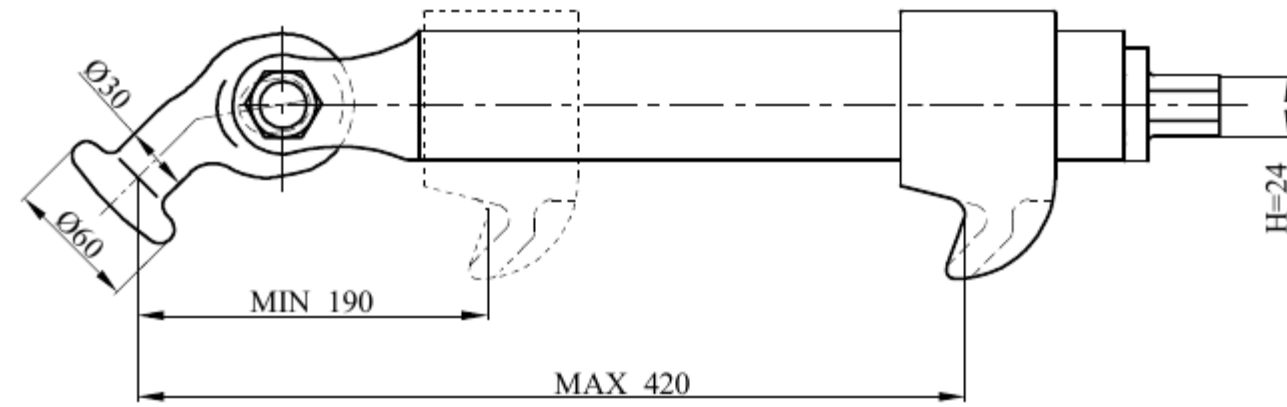
# SPEED LASHS



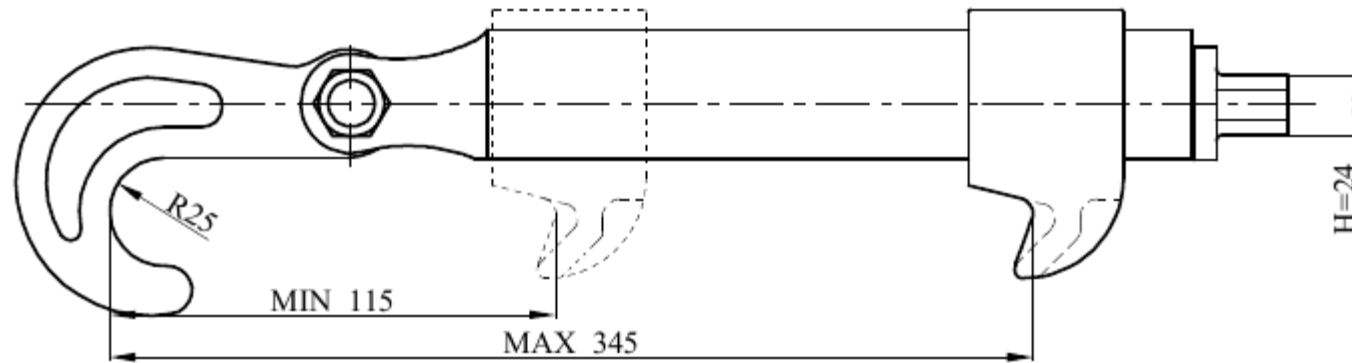
Category: [Lashing chains/Tension levers](#)

Appliction: [For RO-RO vessel](#)

Model: [CE-D1/E](#)



CE-D1/E



CE-D1/H

Type	Weight
CE-D1/E	6.9KG
CE-D1/H	7.5KG

**Material:** Casting steel  
**Finish:** Hot dip galvansied  
**Weight:** Table

**M.B.L:** Tension: 200KN  
**M.B.L:** Shear: -  
**M.B.L:** Compression: -

## Search Keyword

[CHAIN QUICKLASH](#)

[CHAIN QUICKLASH WITH ELEPHANT FOOT](#)

## Description

The Speed Lashes are used to quickly tension the lashing chain.



**General Lashing System CO.,LTD.**

Add: 2113# Ningheng South Road,Hengxi Town,Yinzhou District,Ningbo China.

Tel: +86-574-88078959

Fax: +86-574-88078957

E-mail: [gls@generallashing.com](mailto:gls@generallashing.com)

Website: [www.generallashing.com](http://www.generallashing.com)