

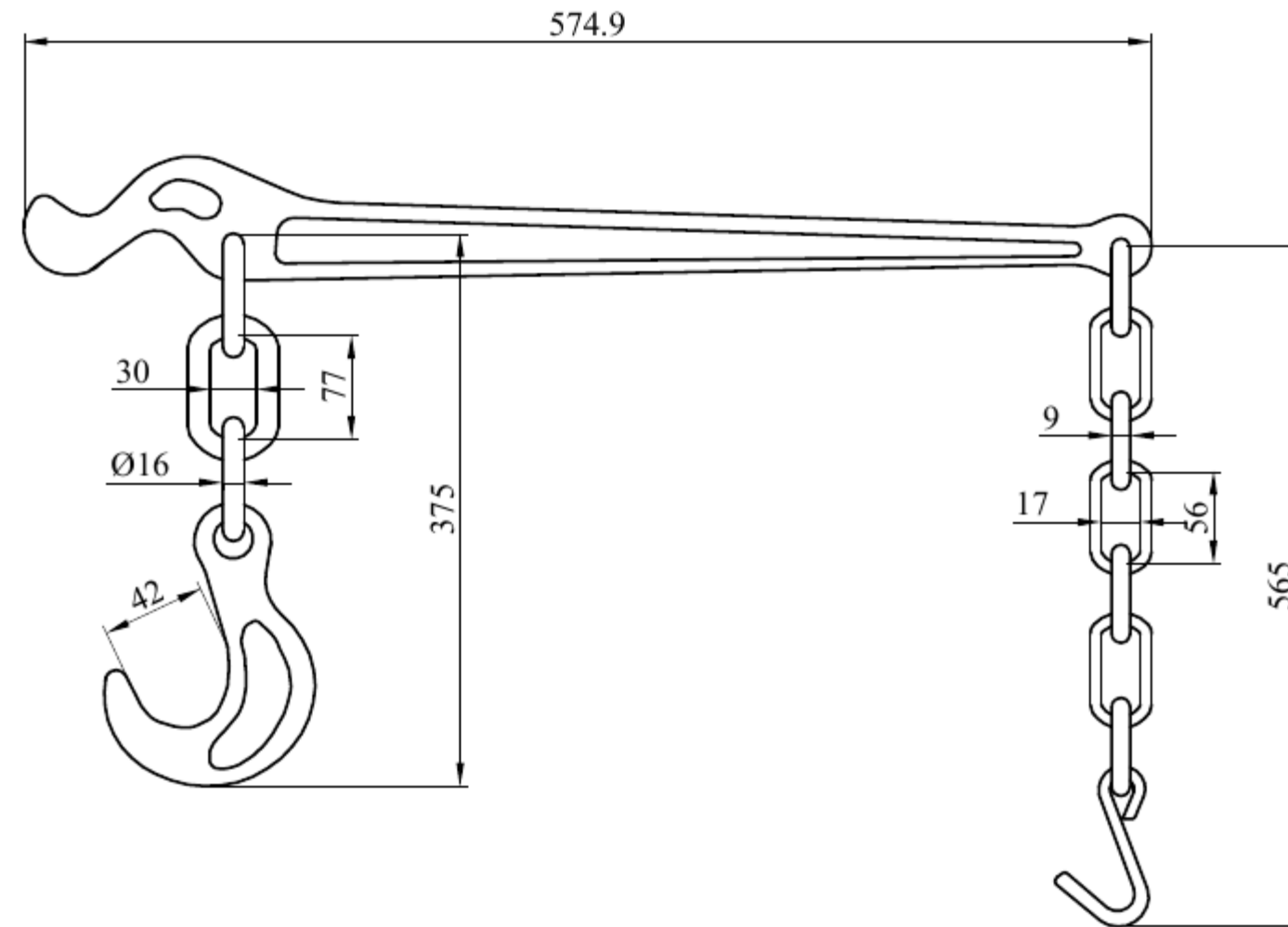
TENSION LEVERS



Category: [Lashing chains/Tension levers](#)

Application: [For RO-RO vessel](#)

Model: [CB-B1](#)



Material: Forged steel
Finish: Shop primer
Weight: 5.72kg

M.B.L: Tension: 200KN
M.B.L: Shear: -
M.B.L: Compression: -

Search Keyword

[CHAIN TENSIONER](#)

[LEVEL TENSIONER](#)

[CHAIN LEVEL](#)

Description

The tension level is matched with lashing chain to use. Both shop primer or hot dip galvanizing is available.



General Lashing System CO.,LTD.

Add: 2113# Ningheng South Road,Hengxi Town,Yinzhou District,Ningbo China.

Tel: +86-574-88078959

Fax: +86-574-88078957

E-mail: gls@generallashing.com

Website: www.generallashing.com