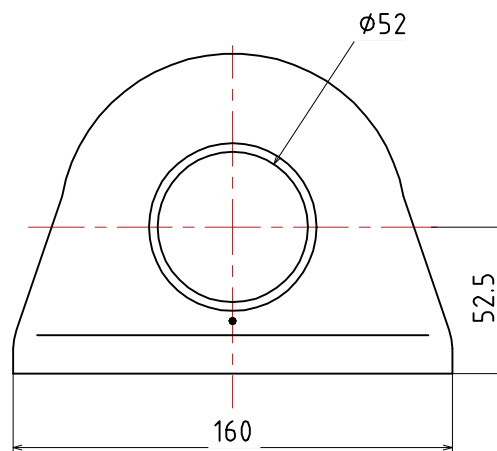
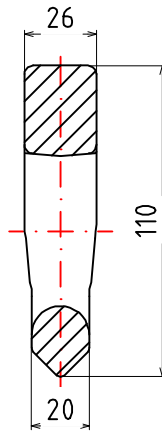


# Lashing Plates

**TYPE:AM-A1**



**Material:** Made of Casting steel

**Finish:** Paint

**Weight:** 1.8KG

**M.B.L:Tension:** 500KN

**M.B.L:Shear:** -

**M.B.L:Compression:** -

General Lashing System(China)Co.,Ltd.

[Http://www.GeneralLashing.com](http://www.GeneralLashing.com)