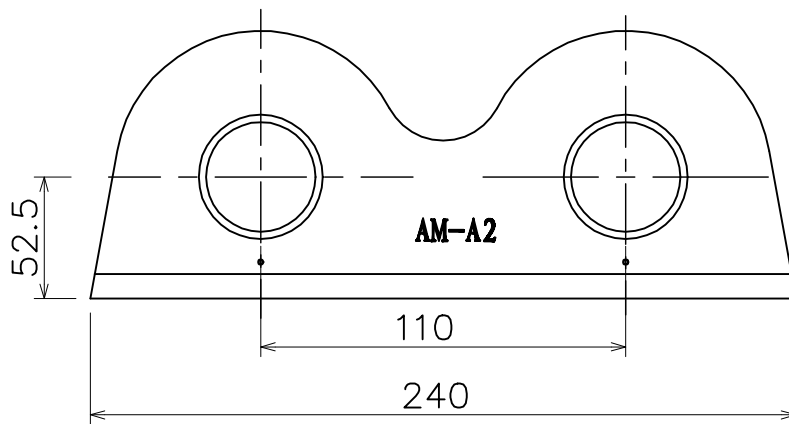
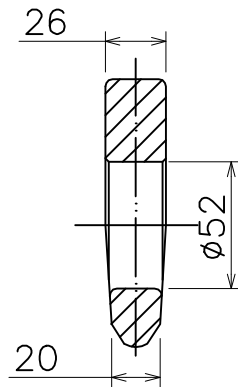


Lashing Plates

TYPE:AM-A2



Material: Made of casting steel

Finish: Paint

Weight: 2.7KG

M.B.L:Tension: 500KN

M.B.L:Shear: -

M.B.L:Compression: -

General Lashing System(China)Co.,Ltd.

[Http://www.GeneralLashing.com](http://www.GeneralLashing.com)