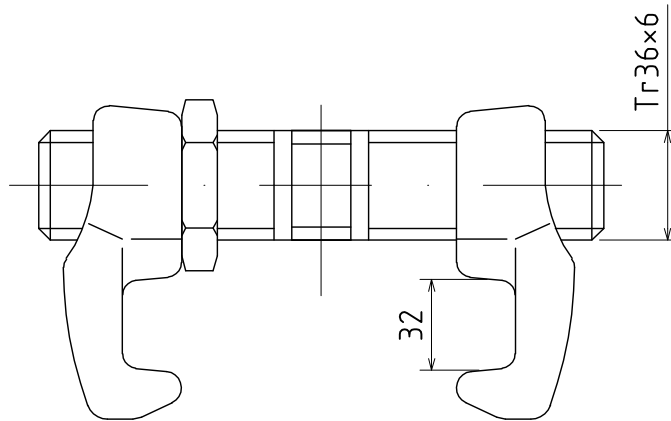


Bridge fitting

TYPE:BE-A1



Type	L	M.B.L	Weight
BE-A1/260	260	100KN	3.2Kg
BE-A1/380	380	100KN	4.0Kg

Material: Ship building and casting steel

Finish: Hot dip galvanised

Weight: Table

M.B.L:Tension: 100KN

M.B.L:Shear: -

M.B.L:Compression: -

General Lashing System(China)Co.,Ltd.

[Http://www.Generallashing.com](http://www.Generallashing.com)