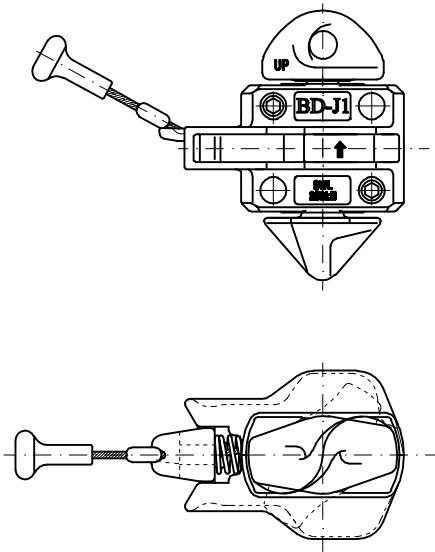
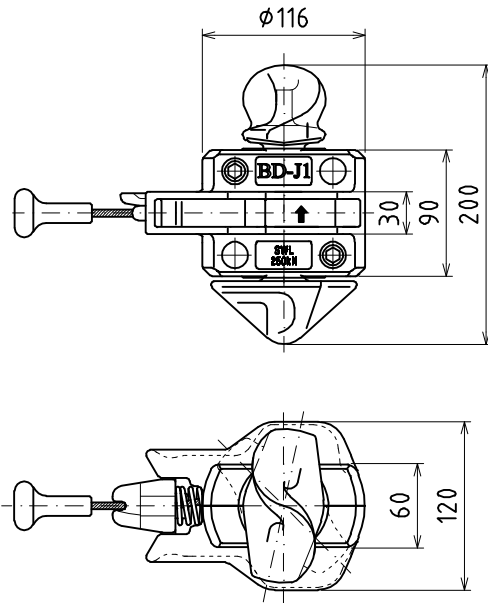
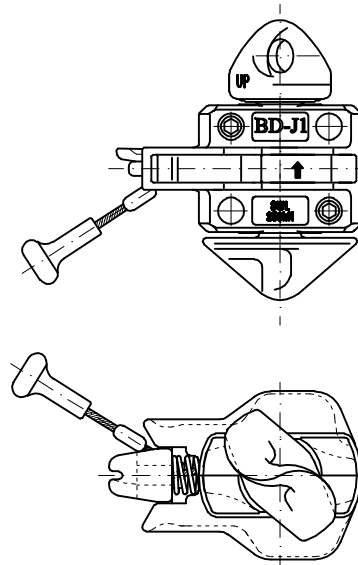


Semi-automatic twistlock

TYPE:BD-J1



上锥打开位置
THE POSITION OF TOP CONE OPEN



下锥打开位置
THE POSITION OF BOTTOM CONE OPEN

Material: Casting and forged steel

Finish: Hot dip galvanized

Weight: 5.8KG

M.B.L:Tension: 500KN

M.B.L:Shear: 420KN

M.B.L:Compression:2000KN

General Lashing System(China)Co.,Ltd.

[Http://www.Generallashing.com](http://www.Generallashing.com)