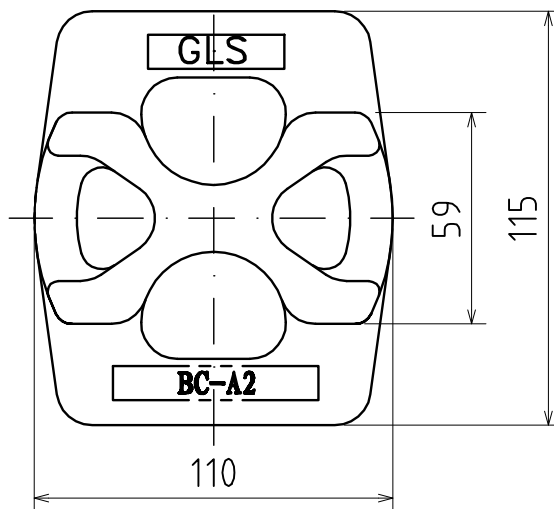
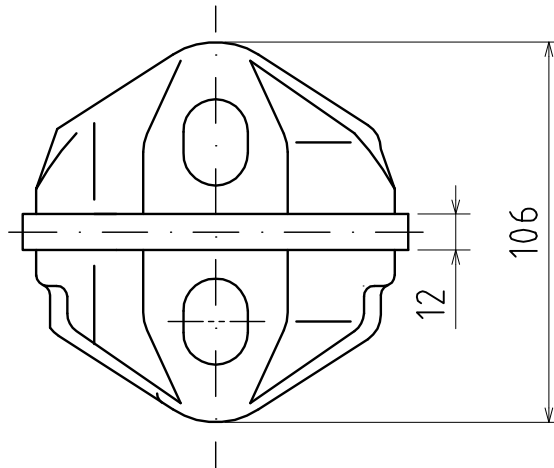


Single stacking cones

TYPE:BC-A2



Material: Made of casting steel

Finish: Hot dip galvanised

Weight: 2.2KG

M.B.L:Tension: -

M.B.L:Shear: 360KN

M.B.L:Compression:2000KN

General Lashing System(China)Co.,Ltd.

[Http://www.GeneralLashing.com](http://www.GeneralLashing.com)