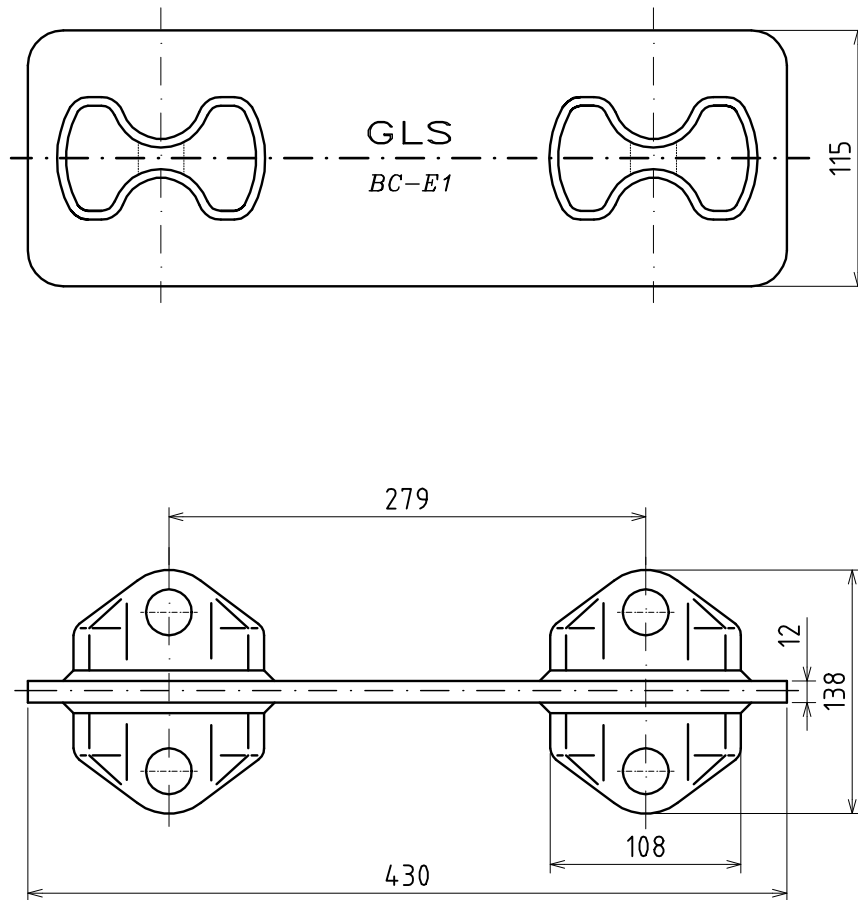


# Double stacking cones

**TYPE:BC-E1**



**Material:** Casting steel and shipbuilding **M.B.L:Tension:** -  
**Finish:** Hot dip galvanised **M.B.L:Shear:** 420KN  
**Weight:** 8.9KG **M.B.L:Compression:**2000KN