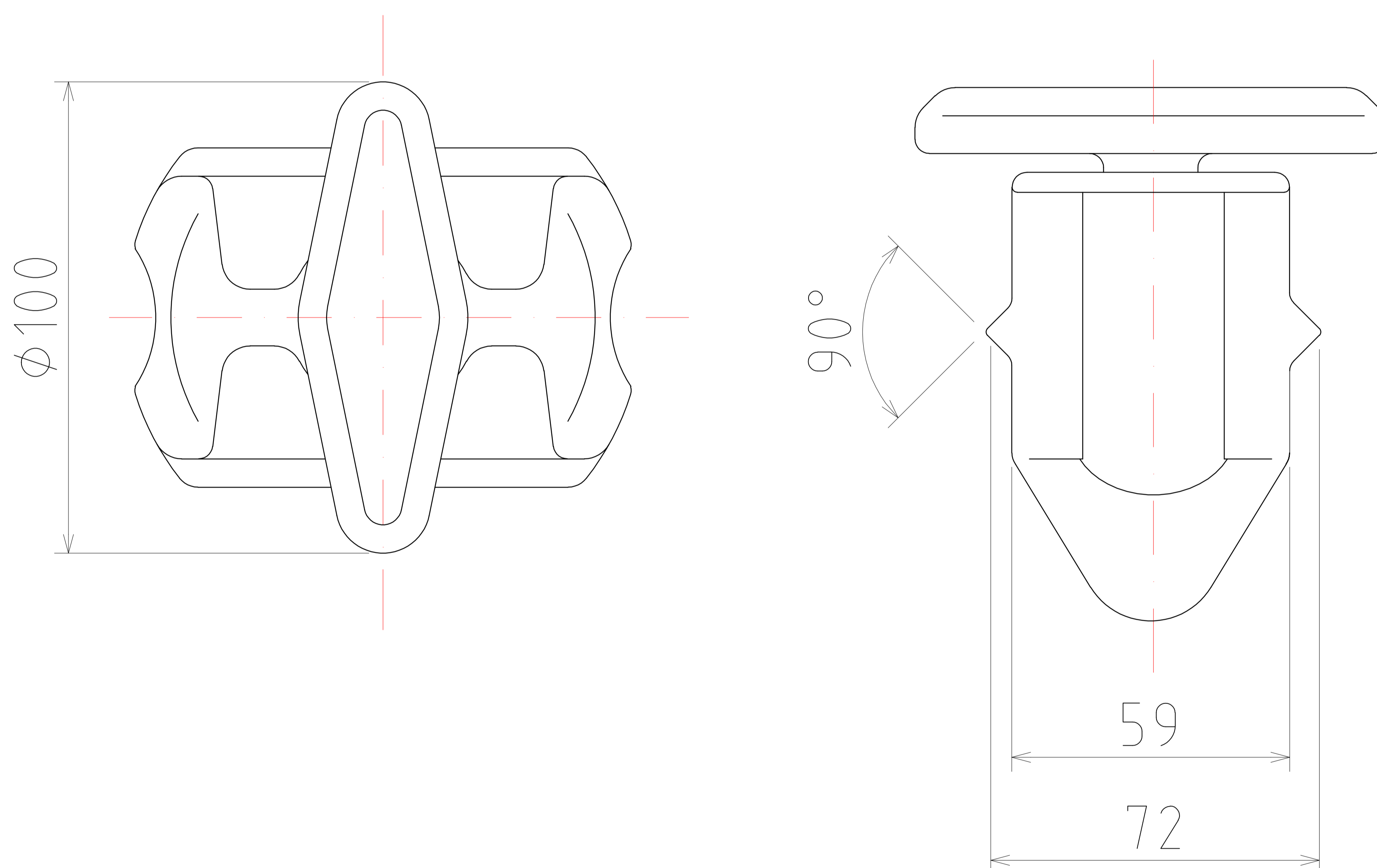
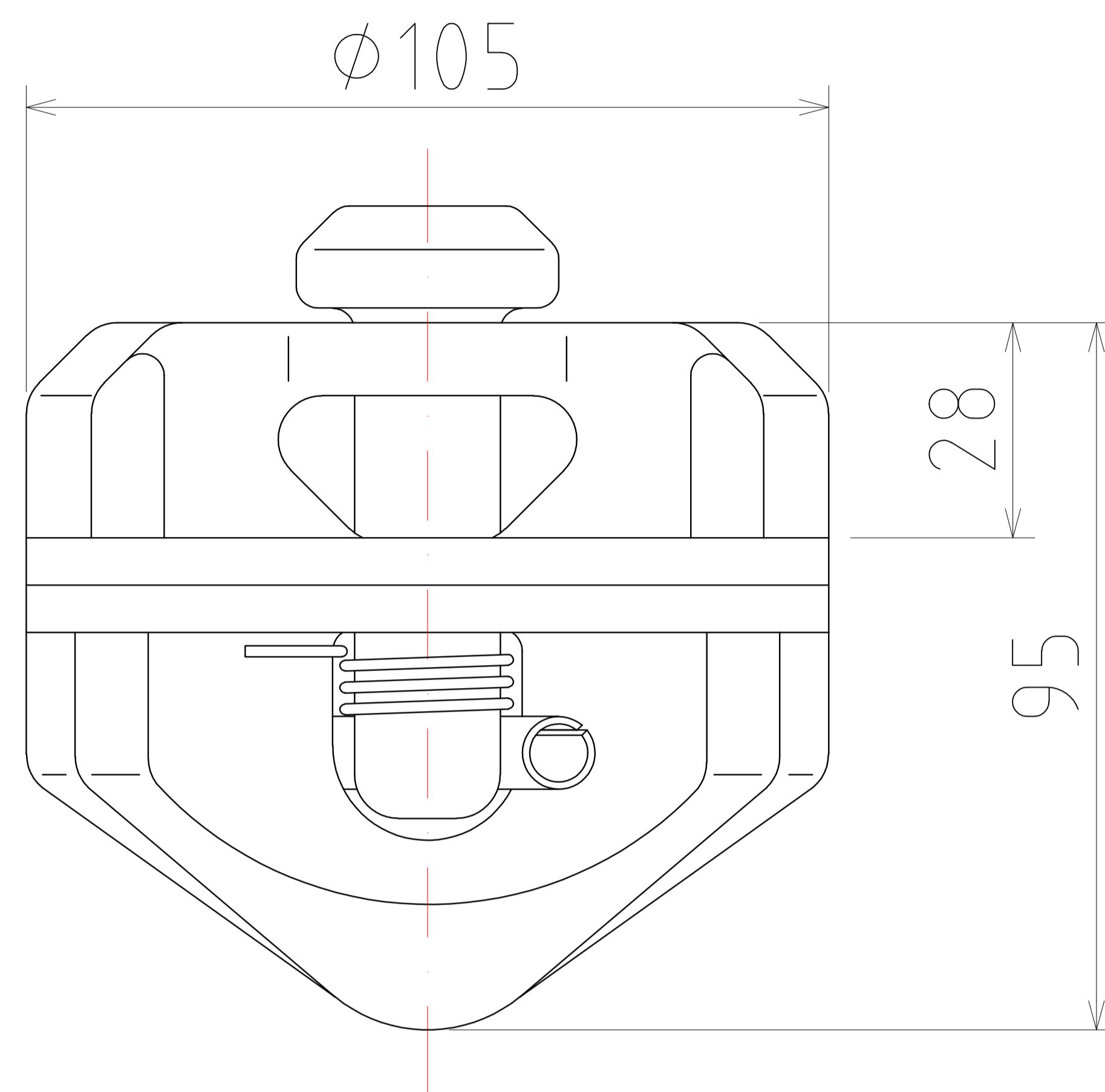


Lockable stacking cones

TYPE:BC-G3



Material: Made of casting steel

Finish: Hot dip galvanised

Weight: 2.6KG

M.B.L:Tension: -

M.B.L:Shear: 420KN

M.B.L:Compression:2000KN