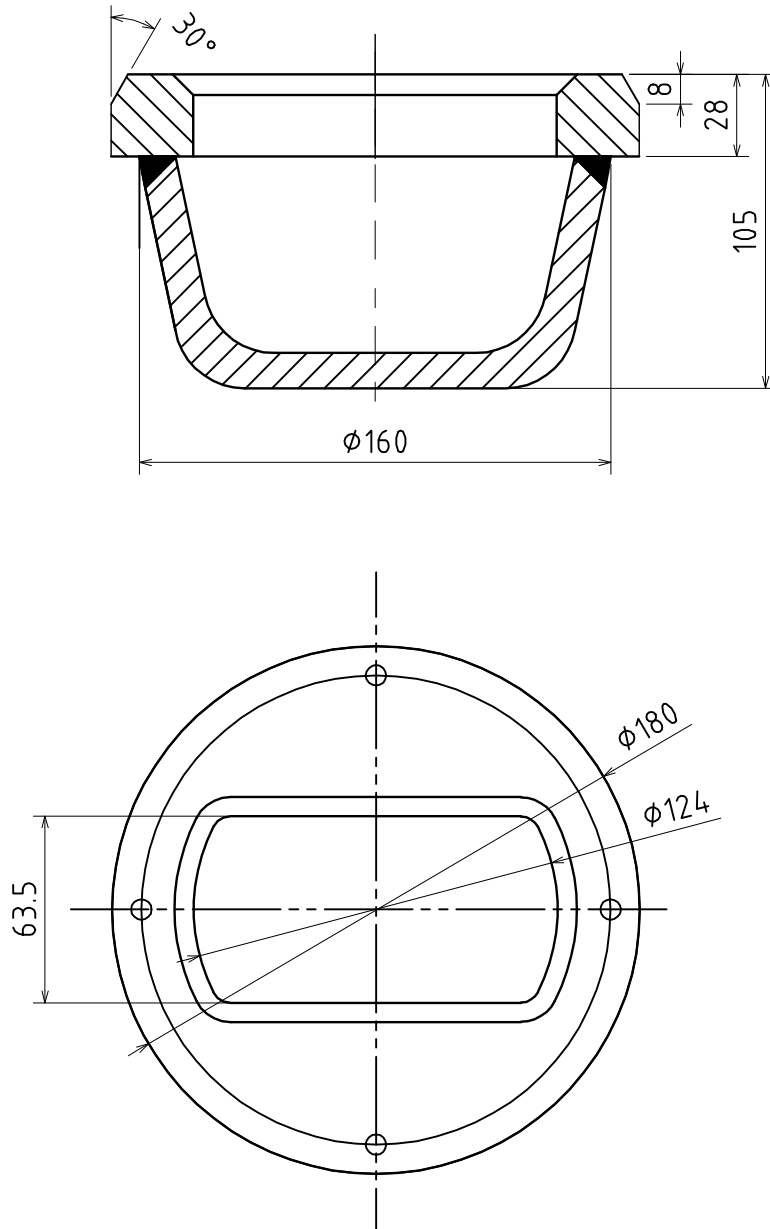


# Flush ISO Foundations

**TYPE:AA-A1**



**Material:** Ship building steel

**Finish:** Paint

**Weight:** 7.5KG

**M.B.L:Tension:** 500KN

**M.B.L:Shear:** 420KN

**M.B.L:Compression:**2000KN

General Lashing System(China)Co.,Ltd.

[Http://www.Generallashing.com](http://www.Generallashing.com)