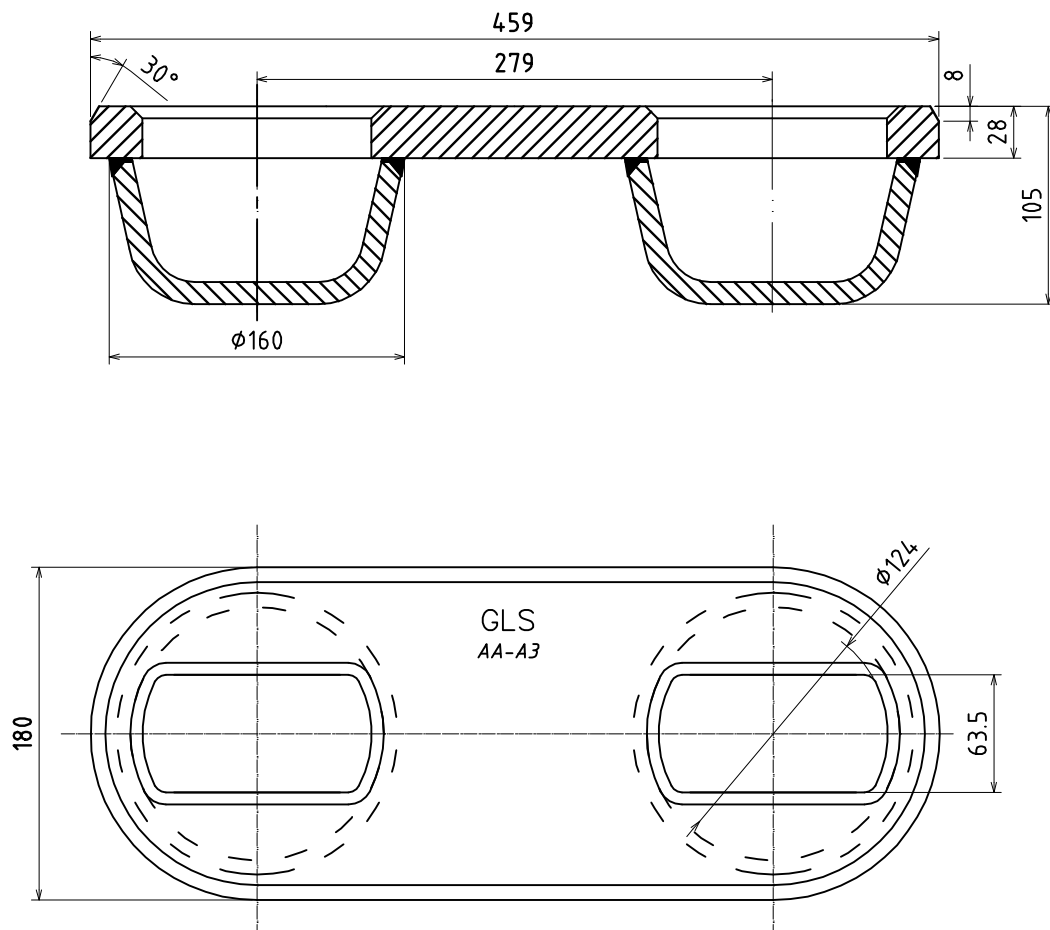


Flush ISO Foundations

TYPE:AA-A3



Material: Ship building steel

Finish: Paint

Weight:

M.B.L:Tension: 500KN

M.B.L:Shear: 420KN

M.B.L:Compression:2000KN

General Lashing System(China)Co.,Ltd.

[Http://www.Generallashing.com](http://www.Generallashing.com)