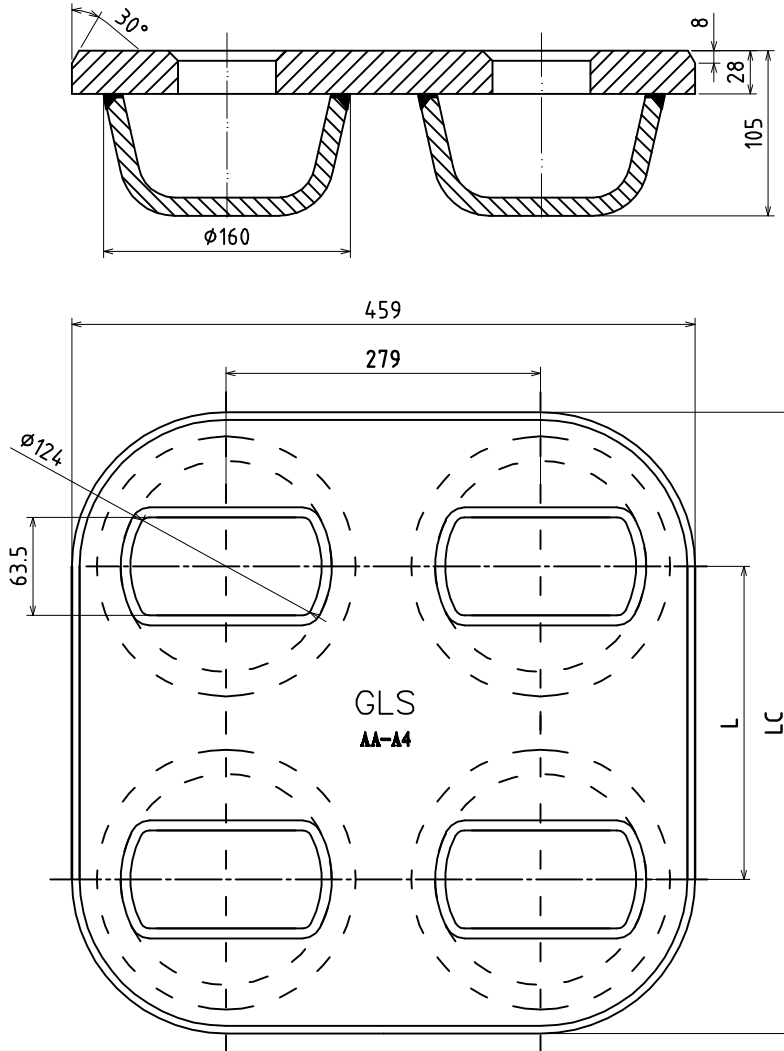


Flush ISO Foundations

TYPE:AA-A4



Type	L	LC	Weight
AA-A4/203	203	383	
AA-A4/216	216	396	
AA-A4/258	258	438	

Material: Ship building steel

Finish: Paint

Weight: Table

M.B.L:Tension: 500KN

M.B.L:Shear: 420KN

M.B.L:Compression:2000KN

General Lashing System(China)Co.,Ltd.

[Http://www.Generallashing.com](http://www.Generallashing.com)