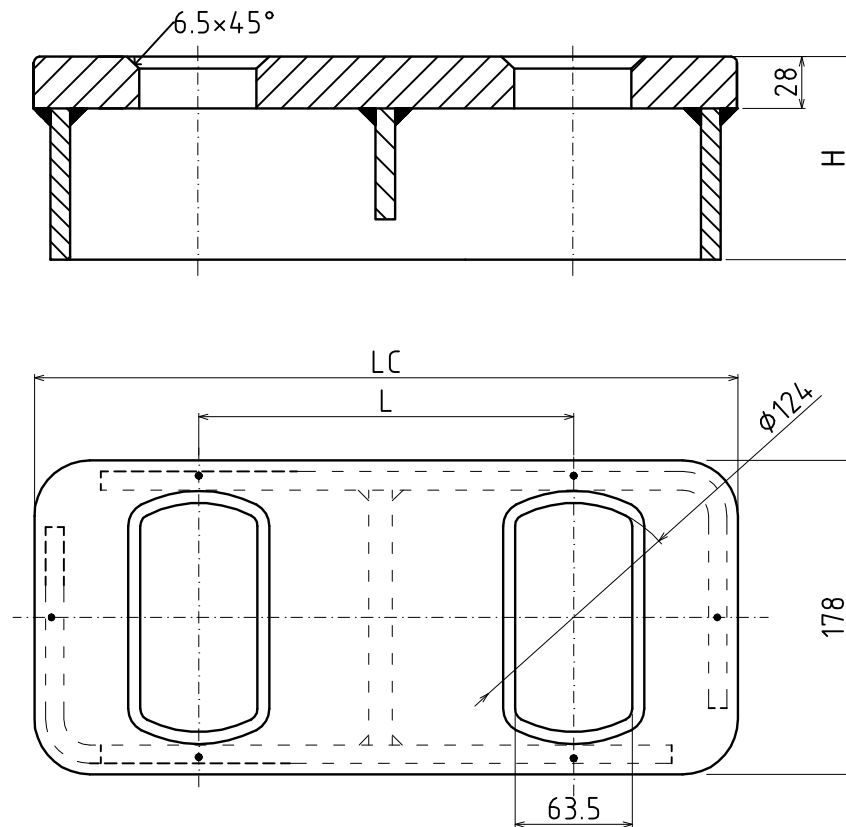


Raised ISO Foundations

TYPE:AC-A2



Type	L	LC	H	Weight
AC-A2/203/110	203	381	110	18.1Kg
AC-A2/216/110	216	394	110	
AC-A2/258/110	258	436	110	
AC-A2/203/135	203	381	135	19.2Kg
AC-A2/216/135	216	394	135	
AC-A2/258/135	258	436	135	
AC-A2/203/150	203	381	150	
AC-A2/216/150	216	394	150	
AC-A2/258/150	258	436	150	

Material: Ship building steel

Finish: Paint

Weight: Table

M.B.L:Tension: 500KN

M.B.L:Shear: 420KN

M.B.L:Compression:2000KN

General Lashing System(China)Co.,Ltd.

[Http://www.GeneralLashing.com](http://www.GeneralLashing.com)