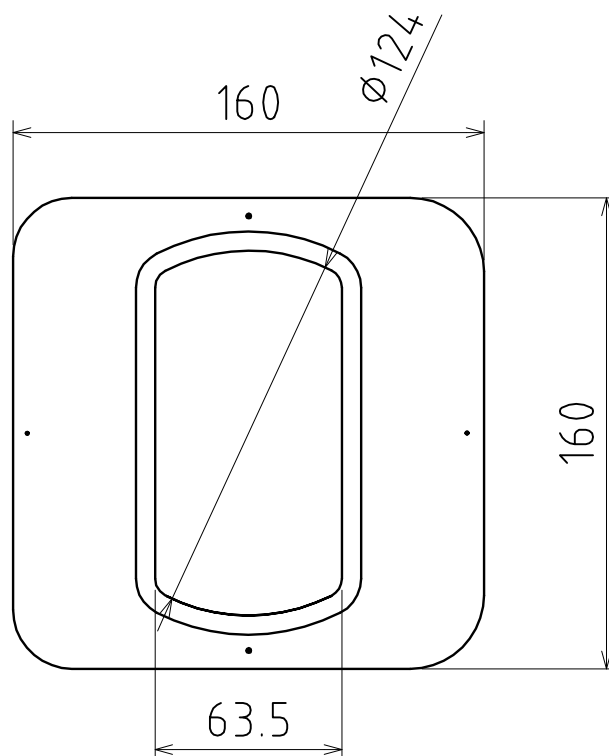
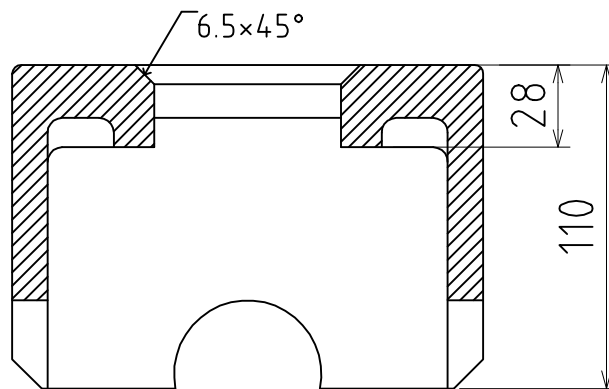


Raised ISO Foundations

TYPE:AC-B1



Material: Made of casting steel

Finish: Paint

Weight: 7.0KG

M.B.L:Tension: 500KN

M.B.L:Shear: 420KN

M.B.L:Compression:2000KN

General Lashing System(China)Co.,Ltd.

[Http://www.Generallashing.com](http://www.Generallashing.com)