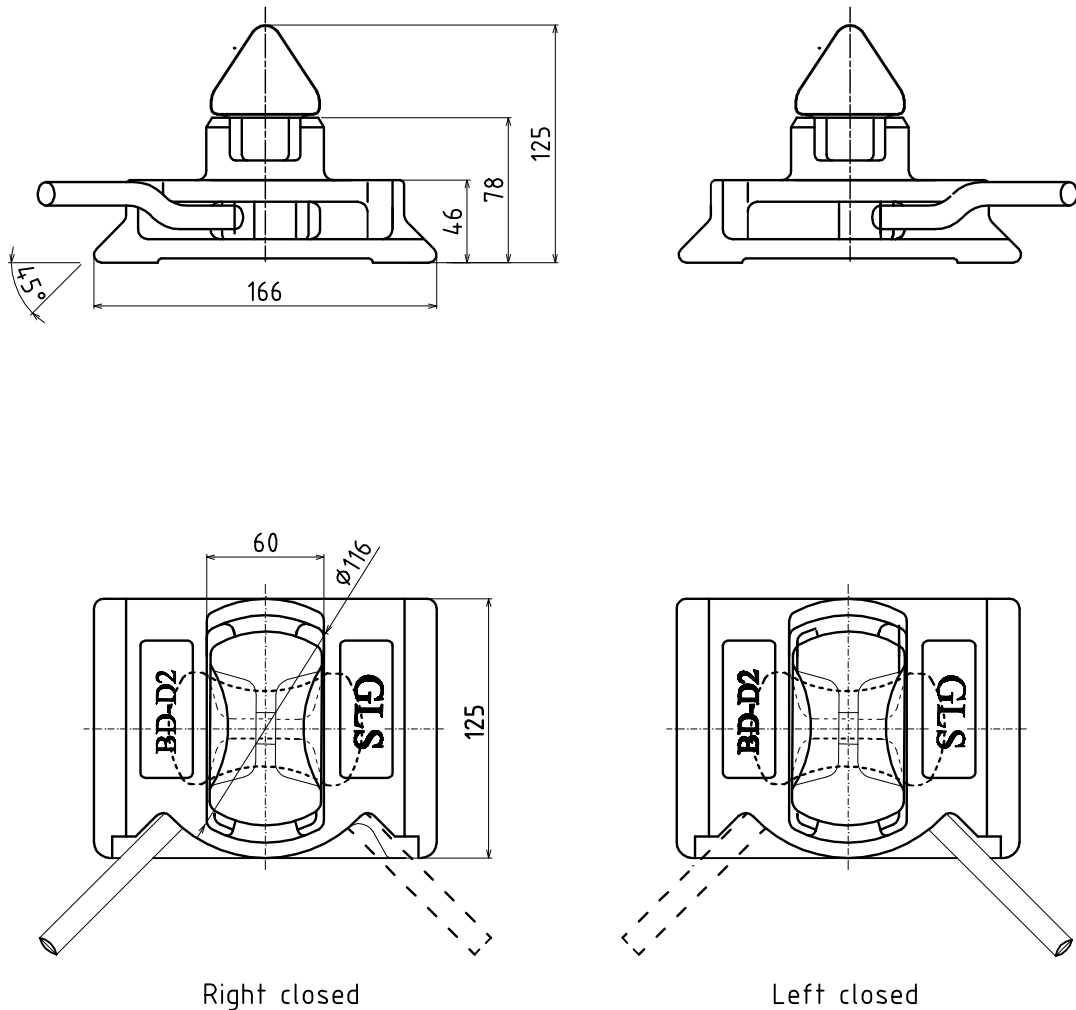


# Dovetail twistlock

## TYPE:BD-D2



**Material:** Made of casting steel

**Finish:** Hot dip galvanised

**Weight:** 5.6KG

**M.B.L:Tension:** 500KN

**M.B.L:Shear:** 420KN

**M.B.L:Compression:**2000KN