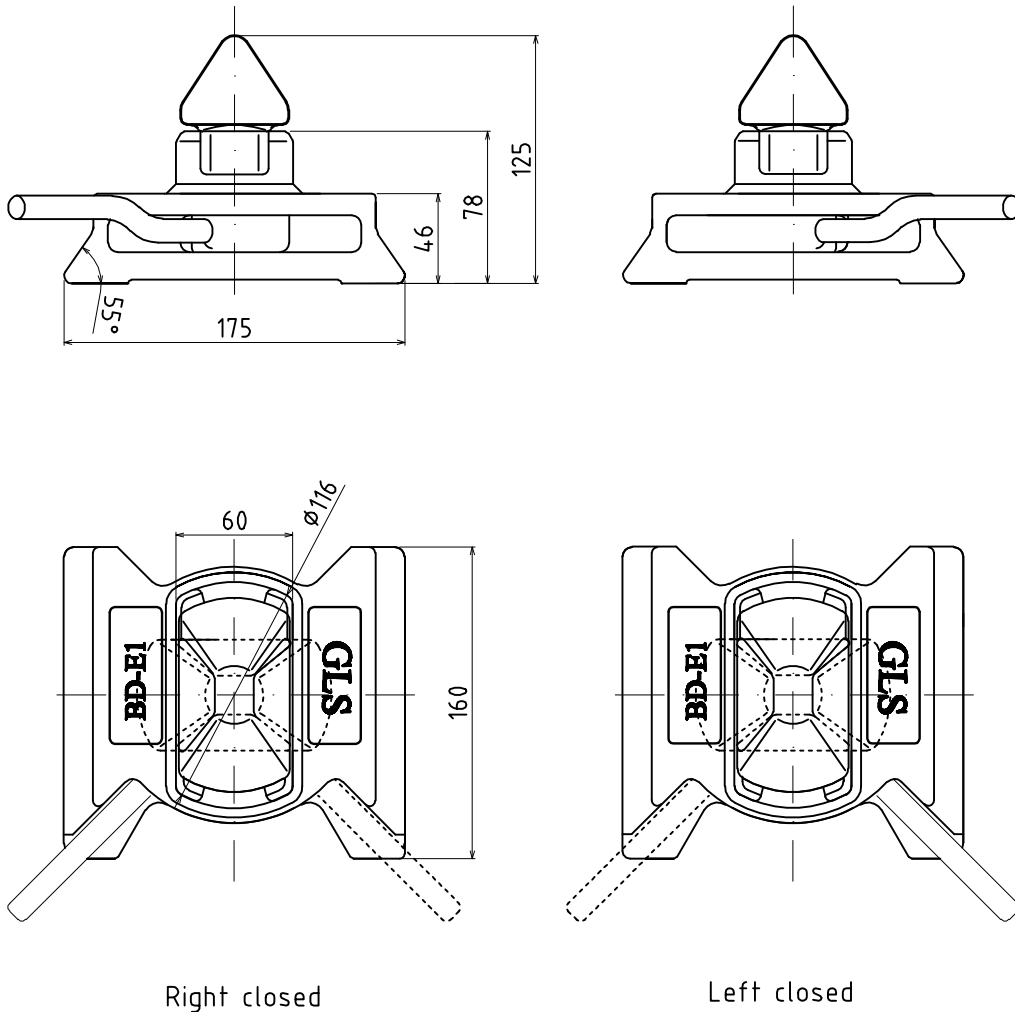


# Dovetail twistlock

## TYPE:BD-E1



**Material:** Made of casting steel

**Finish:** Hot dip galvanised

**Weight:** 6.5KG

**M.B.L:Tension:** 500KN

**M.B.L:Shear:** 420KN

**M.B.L:Compression:**2000KN

General Lashing System(China)Co.,Ltd.

[Http://www.GeneralLashing.com](http://www.GeneralLashing.com)