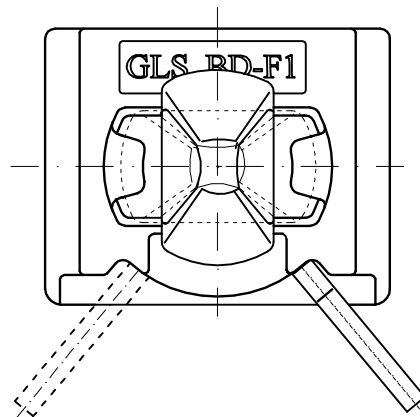
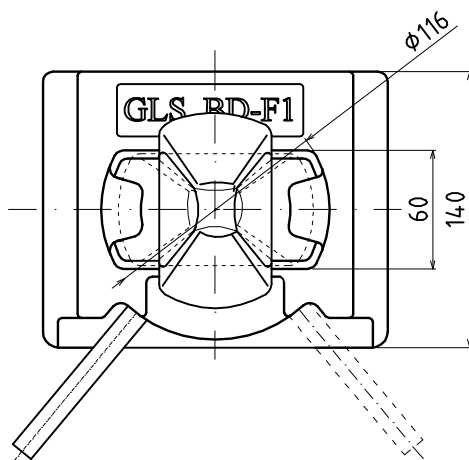
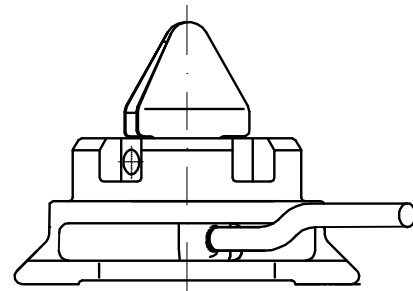
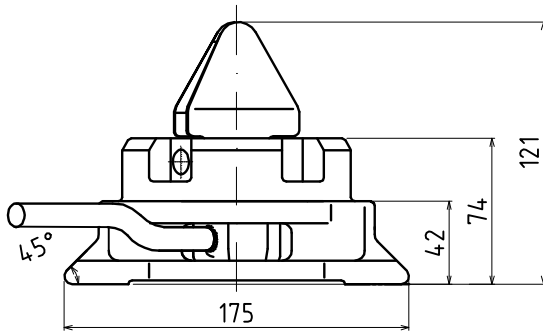


Dovetail twistlock

TYPE:BD-F1



Material: Made of casting steel

Finish: Hot dip galvanised

Weight: 6.8KG

M.B.L:Tension: 500KN

M.B.L:Shear: 420KN

M.B.L:Compression:2000KN

General Lashing System(China)Co.,Ltd.

[Http://www.Generallashing.com](http://www.Generallashing.com)